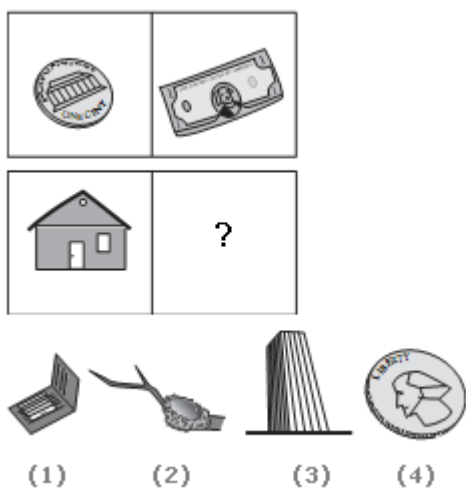




**RAMAGYA SCHOOL, NOIDA**  
 V/CYBER/2017-18  
 OLYMPIAD PRACTICE WORKSHEET

**LOGICAL REASONING**

Q1. Choose the picture that would go in the empty box so that the two bottom pictures are related in the same way as the top two are related.



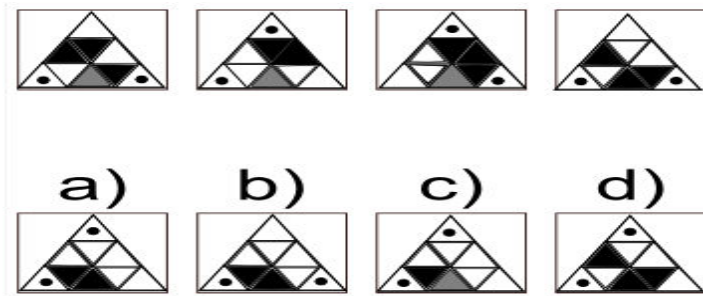
- A. 1      B. 2      C. 3      D. 4

Q2. Look carefully at the sequence of symbols to find the pattern. Select correct pattern.



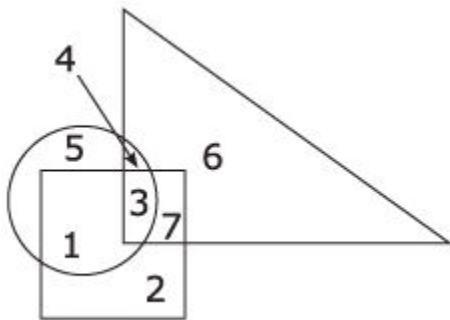
- A. 1  
 B. 2  
 C. 3  
 D. 4

Q3. Which square comes next in the sequence?



- A. a)
- B. b)
- C. c)
- D. d)

Q4. Circle indicates 'strong', square indicates 'tall' and triangle 'army officers'. The strong army officers who are not tall are shown



- A. 4
- B. 3
- C. 5
- D. 6

**COMPUTER SCIENCE**

Q1. You cannot close MS Word application by

- A. Choosing File menu then Exit submenu
- B. Press Alt+F4
- C. Click X button on title bar
- D. From File menu choose Close submenu

Q2. A feature of MS Word that saves the document automatically after certain interval is available

on

- A. Save tab on Options dialog box
- B. Save As dialog box
- C. Both of above
- D. None of above

Q3. How many ways you can save a document?

- A. 3
- B. 4
- C. 5
- D. 6

Q4. Background color or effects applied on a document is not visible in

- A. Web layout view
- B. Print Layout view
- C. Reading View
- D. Print Preview

Q5. Which of the following is not a font style?

- A. Bold
- B. Italics
- C. Regular
- D. Superscript

Q6 Text-styling feature of MS word is

- A. WordColor
- B. WordFont
- C. WordArt
- D. WordFill

Q7. We can insert a page number at

- A. Header
- B. Footer
- C. Both A and B
- D. None

Q8. Which feature starts a new line whenever a word or sentence reached a border

- A. Text Line
- B. New Line
- C. Text Wrapping
- D. Text Align

Q9. Which feature starts a new line whenever a word or sentence reached a border

- A. Text Line
- B. New Line
- C. Text Wrapping
- D. Text Align

Q10. Which item is printed at the bottom of each page

- A. Header
- B. Foot Note
- C. Title
- D. Footer

Q11. Color and pattern used to fill a closed shape is called

- A. Shape
- B. WordArt
- C. Fill Style
- D. Fill Back

Q12. How many scrollbars does a window have in general ?

- A. 1
- B. 2
- C. 3
- D. 4

Q13. The shortcuts that appears on the Desktop is called :

- A. Image
- B. My Document
- C. Icon
- D. My Computer

Q14. The Process of erasing a disk is called :

- A. Wiping
- B. Formatting
- C. Cleaning
- D. Defragmenting

Q15. Internet Explorer is used for :

- A. Viewing Movie
- B. Listning Music
- C. Viewing Web Pages
- D. Drawing

Q16. How can we bring 'My Computer' icon on the desktop if it is not there ?

- A. From Wallpaper
- B. From Settings
- C. From Display Properties
- D. From Explorer